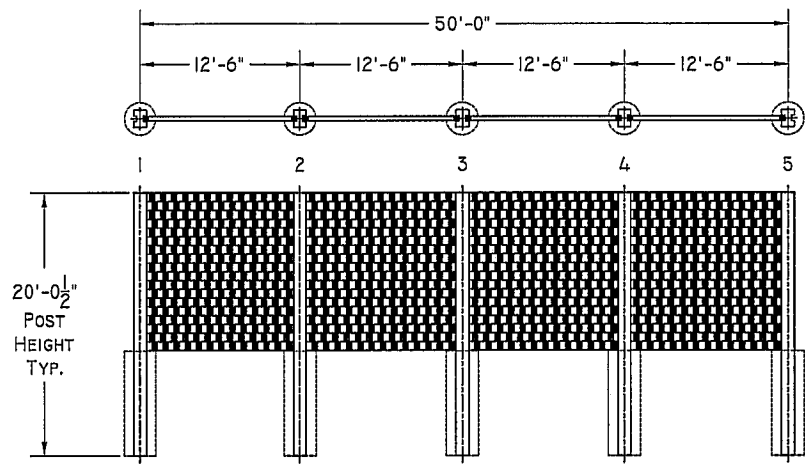
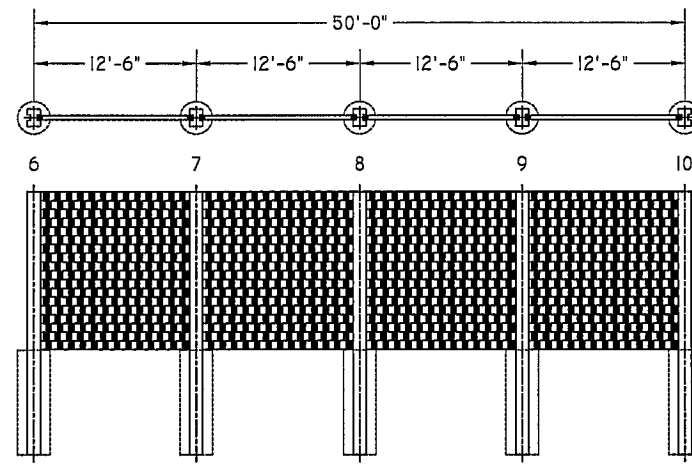


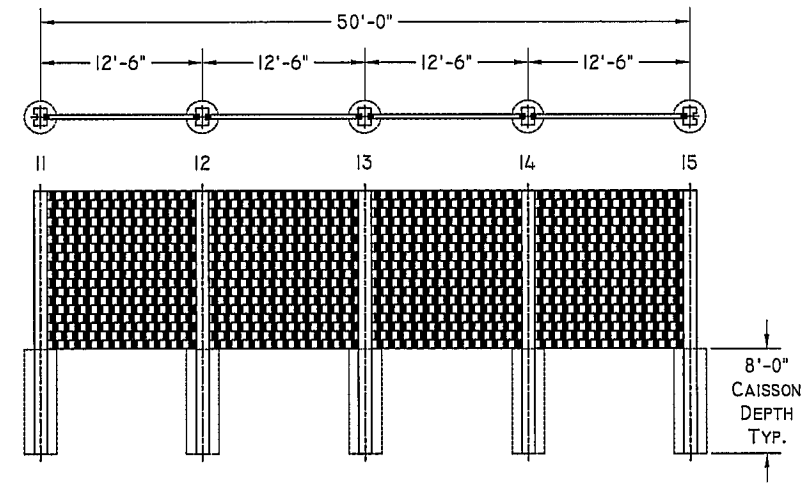
NOISE BARRIER 1



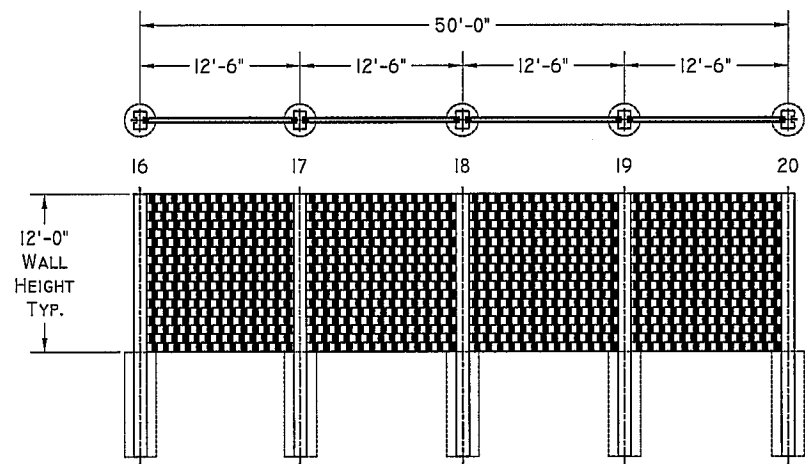
NOISE BARRIER 2



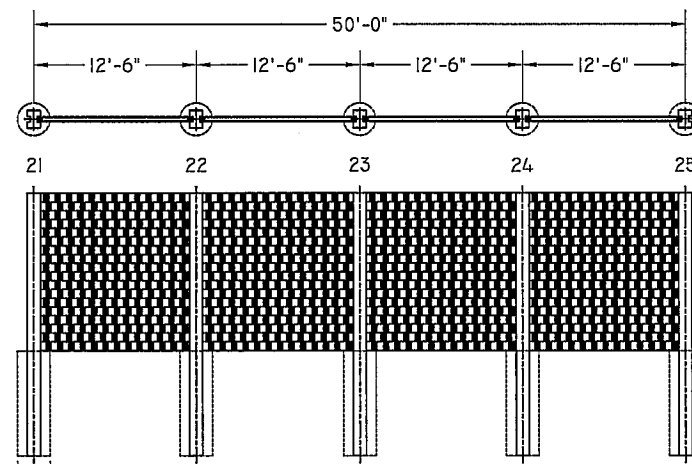
NOISE BARRIER 3



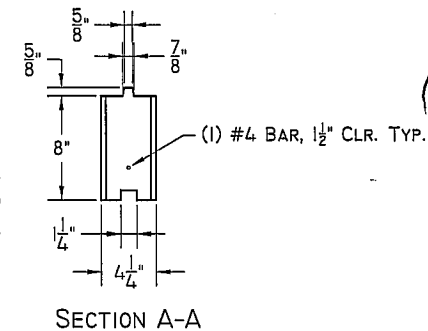
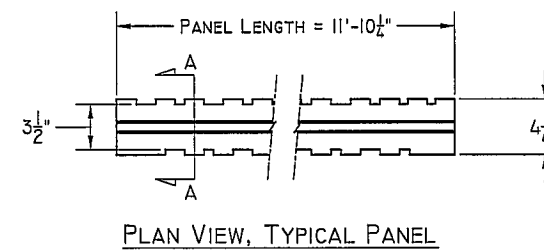
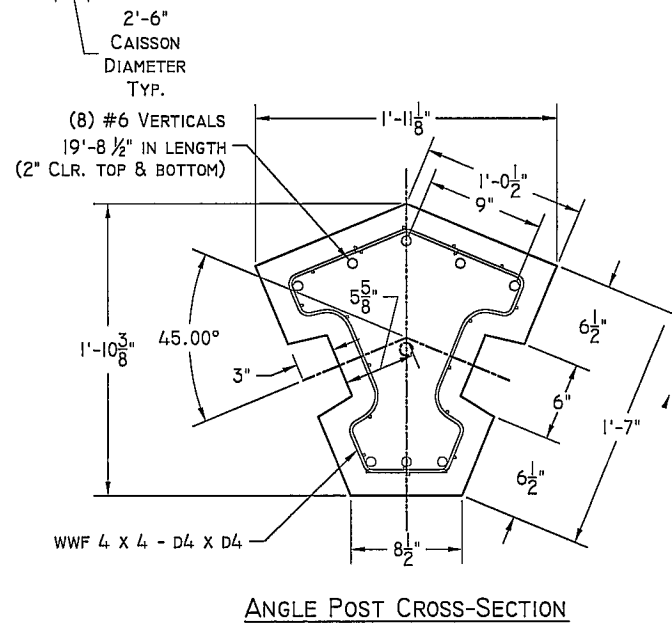
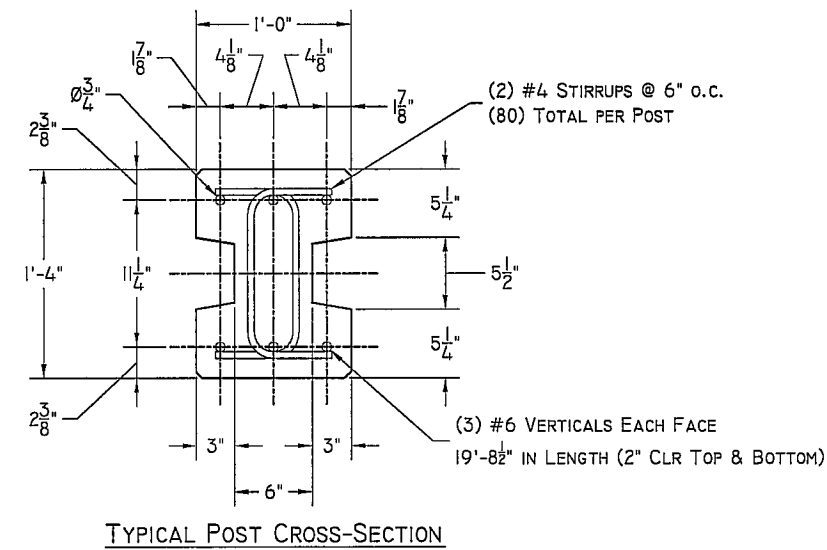
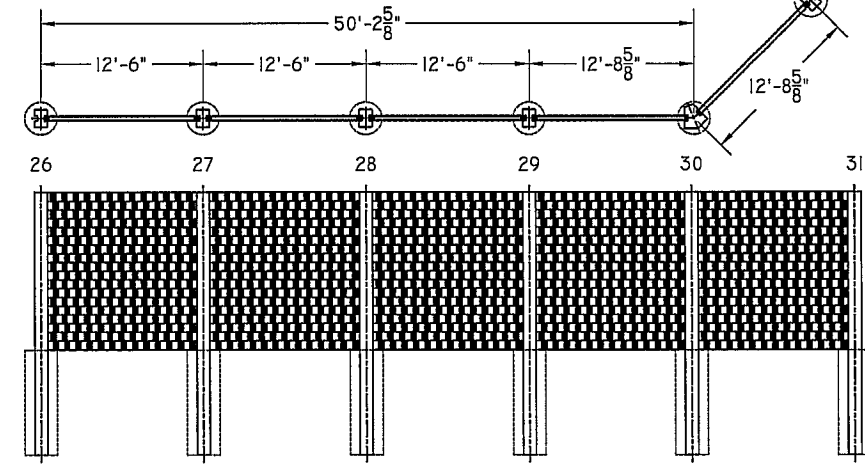
NOISE BARRIER 4



NOISE BARRIER 5



NOISE BARRIER 6



- NOTES:  
 1. ALL DIMENSIONS ARE IN FOOT-INCH.  
 2. CAISSONS ARE TO BE 3000 PSI, UNREINFORCED.

THIS DRAWING AND ALL INFORMATION WITHIN MAY NOT BE REPRODUCED OR DISTRIBUTED FOR ANY OTHER PURPOSE EXCEPT FOR THE STATED PROJECT. THIS DRAWING MAY NOT BE ALTERED IN ANY WAY WITHOUT THE EXPRESSED WRITTEN CONSENT OF FADDIS CONCRETE PRODUCTS.

FADDIS CONCRETE PRODUCTS		DATE	SCALE	DR. BY	CHK. BY	DRAWING NO.
3515 KINGS HIGHWAY DOWNTOWN, PA. 19335		5/16/07	---	JML		HH-0002
BY	DESCRIPTION	DATE				
	REVISIONS					
GEORGE HARMS CONSTRUCTION CO., INC. 62 YELLOWBROOK RD. HOWELL, NJ 07731 HESSIAN WALL LOTS 5, 6, 7, & 8, BLOCK 182						