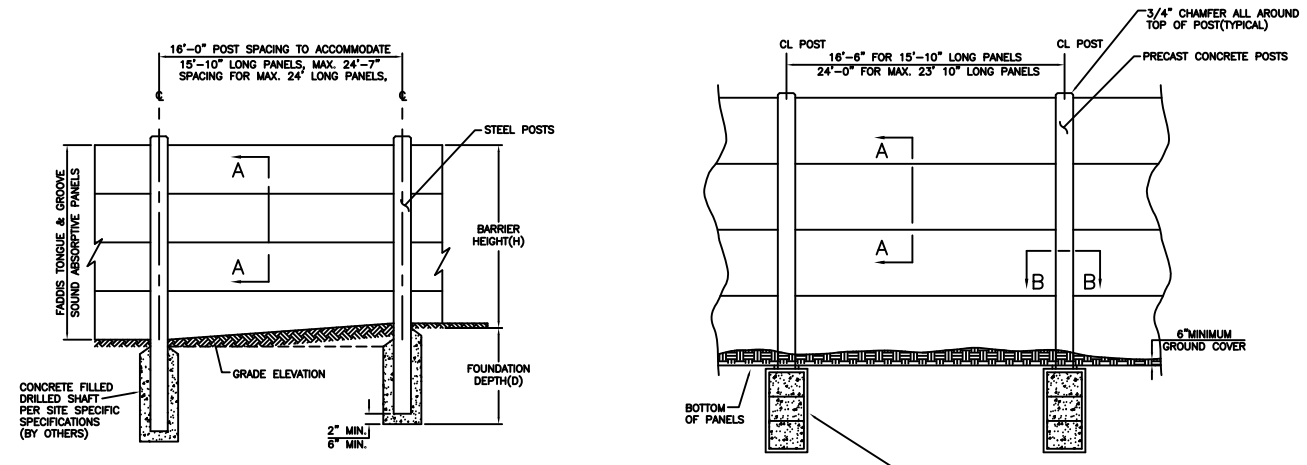
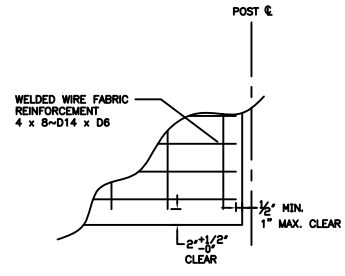
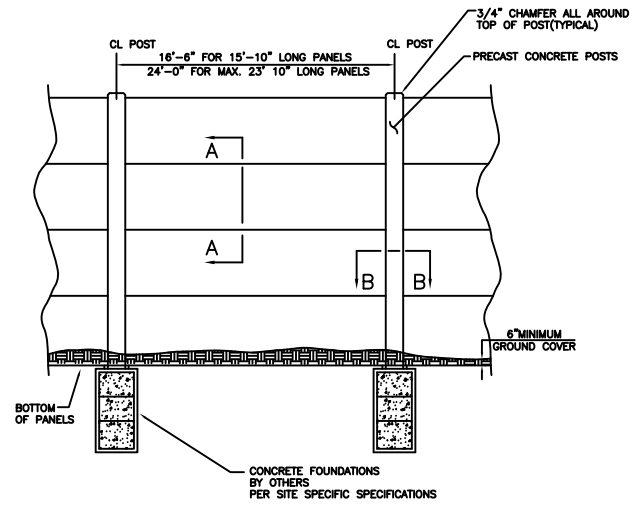


GENERAL NOTES

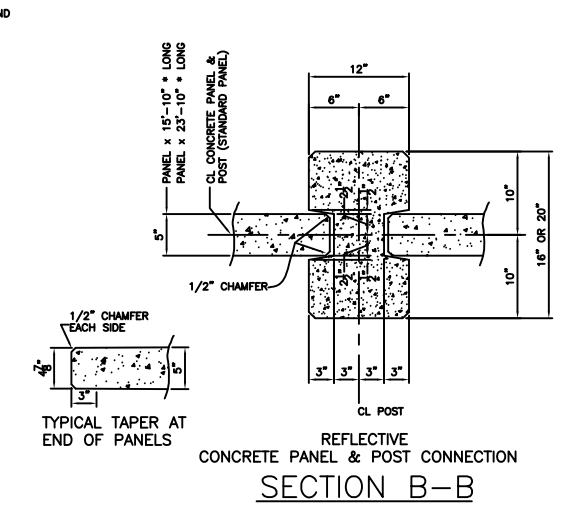
- FADDIS CONCRETE PRODUCTS DESIGN CALCULATIONS AND CONCRETE DRAWINGS FOR PRECAST NOISE BARRIER PANELS AND POSTS PROVIDED AS REQUIRED PER AASHTO GUIDE SPECIFICATION FOR STR DESIGN OF SOUND BARRIERS.
- 28 DAY COMPRESSIVE STRENGTH OF CONCRETE ($f'c$) = 5000 psi.
- FINISH AND COLOR FOR PANELS CAN BE MODIFIED TO ADDRESS SITE SPECIFIC AESTHETIC REQUIREMENTS.
- WELDED WIRE FABRIC REINFORCEMENTS SHALL BE EPOXY COATED
- MILD STEEL REINFORCING SHALL BE EPOXY COATED
- DESIGN WIND LOAD IS 25 psf FOR PANEL SHOWN. DESIGNS FOR OTHER LOAD CONDITIONS PROVIDED AS REQUIRED.
- PANELS ARE DESIGNED IN ACCORDANCE WITH ACI AND AASHTO.
- PANEL AND POST CONCRETE MIX DESIGN - IN ACCORDANCE WITH ACI STANDARDS
- ACOUSTACRETE WOOD FIBER ABSORPTIVE CONCRETE FACING
 - PORTLAND CEMENT
 - WOOD FIBER AGGREGATE
 - CONCRETE BY VOLUMETRIC BATCHING
- NEOPRENE BEARING PADS- USE 50 DUROMETER MEETING THE REQUIREMENTS OF AASHTO STANDARD SPECS FOR HIGHWAY BRIDGES.
- REINFORCING STEEL UNCOATED UNLESS EPOXY OR GALVANIZED COATING REQUIRED
- ALL WELDING SHALL BE IN ACCORDANCE WITH AWS BRIDGE WELDING CODE D1.5-95.
- ACOUSTACRETE WOOD FIBER ABSORPTIVE CONCRETE FACING TESTED IN ACCORDANCE WITH ASTM-C423 AND ASTM-C666 METHOD B.
- PRECAST STEP AND RETAINER BLOCKS SUPPLIED FOR PANEL STEPS



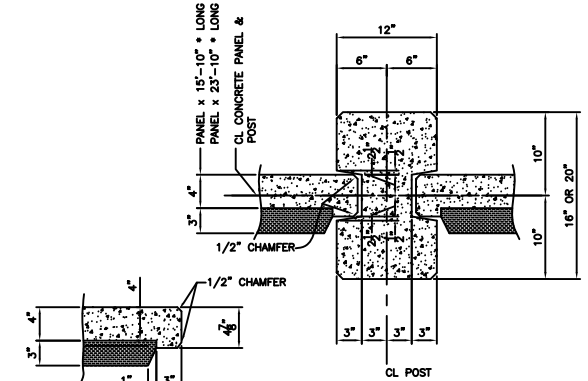
GROUND MOUNTED SOUND BARRIER ELEVATION
(FOR EMBEDDED STEEL POST)
NO SCALE



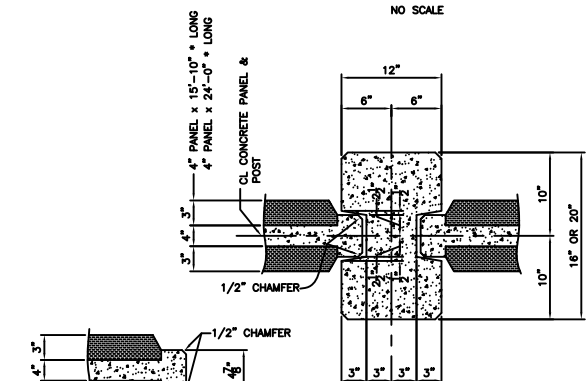
GROUND MOUNTED SOUND BARRIER ELEVATION
(PRE-CAST CONCRETE POSTS)
NO SCALE



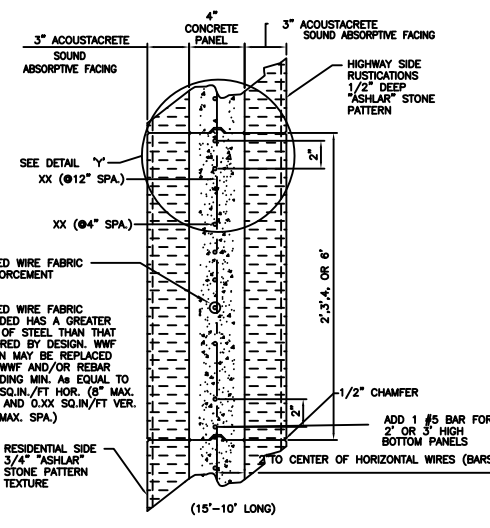
REFLECTIVE CONCRETE PANEL & POST CONNECTION
SECTION B-B
NO SCALE



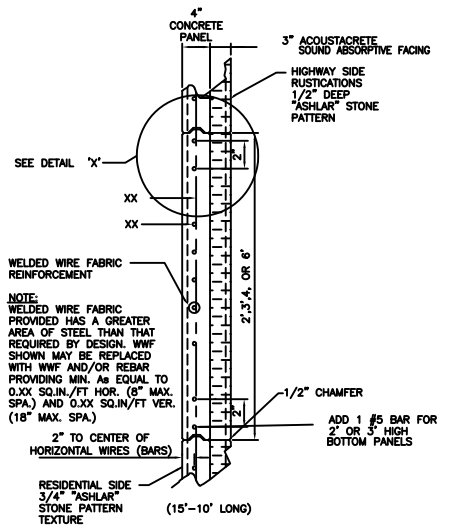
SINGLE SIDED SOUND ABSORPTIVE CONCRETE PANEL & POST CONNECTION
SECTION B-B
NO SCALE



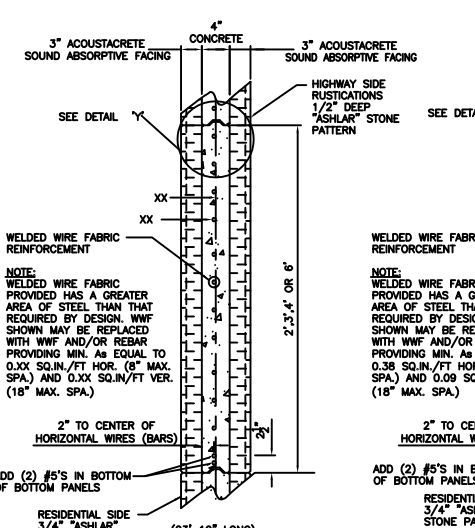
DOUBLE SIDED SOUND ABSORPTIVE CONCRETE PANEL & POST CONNECTION
SECTION B-B
NO SCALE



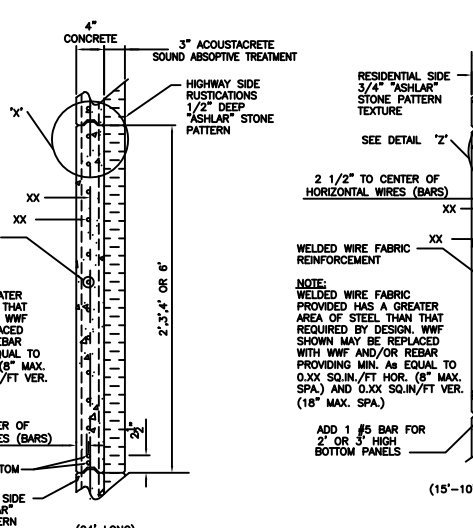
DOUBLE SIDED SOUND ABSORPTIVE CONCRETE PANEL
(SEE TYPICAL PANEL ELEVATION)



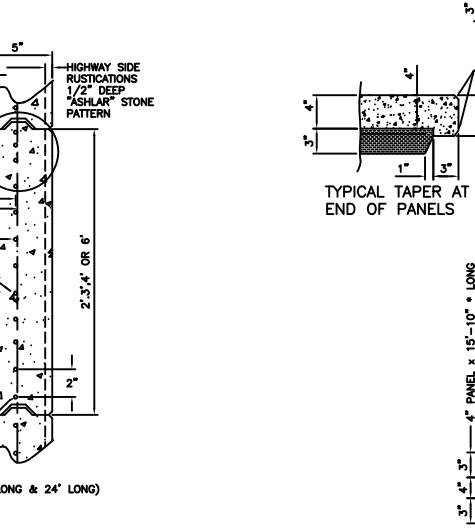
SINGLE SIDED SOUND ABSORPTIVE CONCRETE PANEL
(SEE TYPICAL PANEL ELEVATION)



DOUBLE SIDED SOUND ABSORPTIVE CONCRETE PANEL
(SEE TYPICAL PANEL ELEVATION)

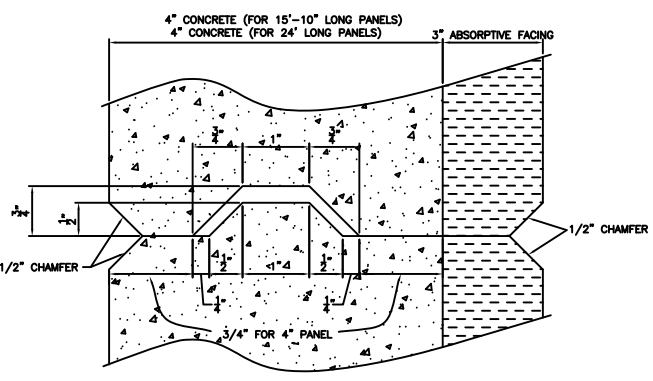


SINGLE SIDED SOUND ABSORPTIVE CONCRETE PANEL
(SEE TYPICAL PANEL ELEVATION)

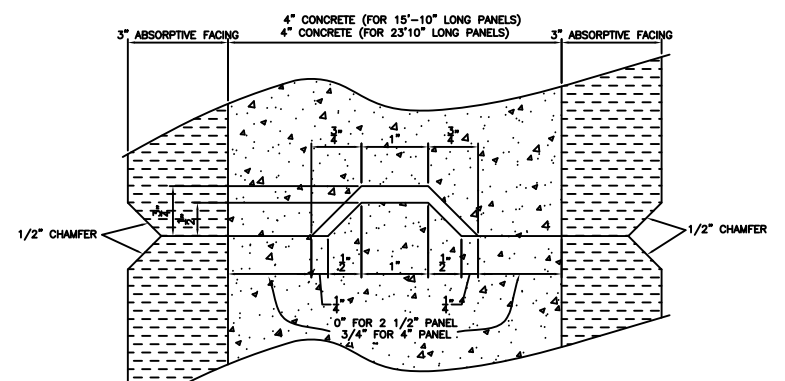


REFLECTIVE CONCRETE PANEL
(SEE TYPICAL PANEL ELEVATION)

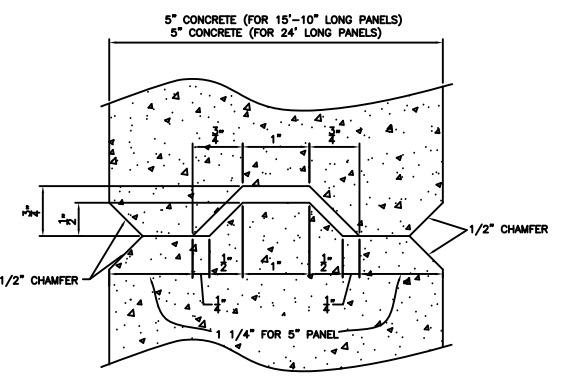
SECTION A-A
1 1/2" = 1'-0"



DETAIL 'X'
SINGLE SIDED SOUND ABSORPTIVE PANEL
NO SCALE



DETAIL 'Y'
DOUBLE SIDED SOUND ABSORPTIVE PANEL
NO SCALE



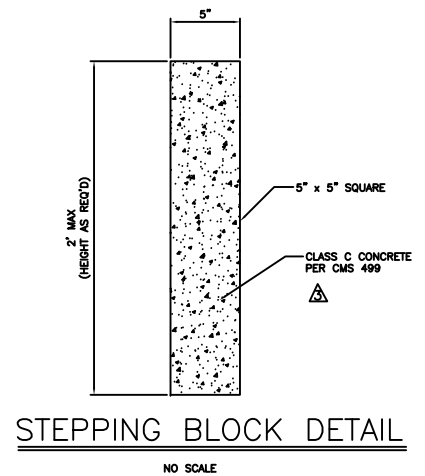
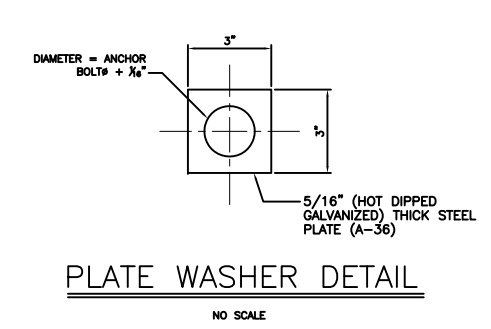
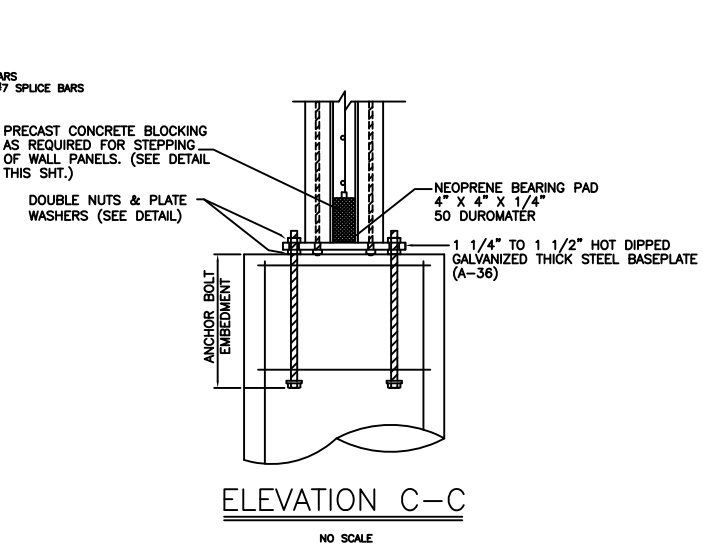
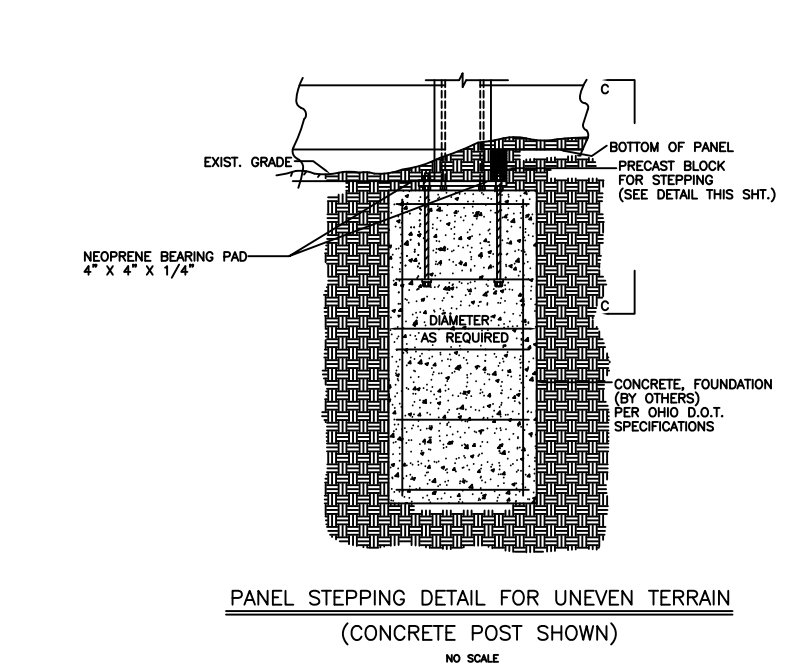
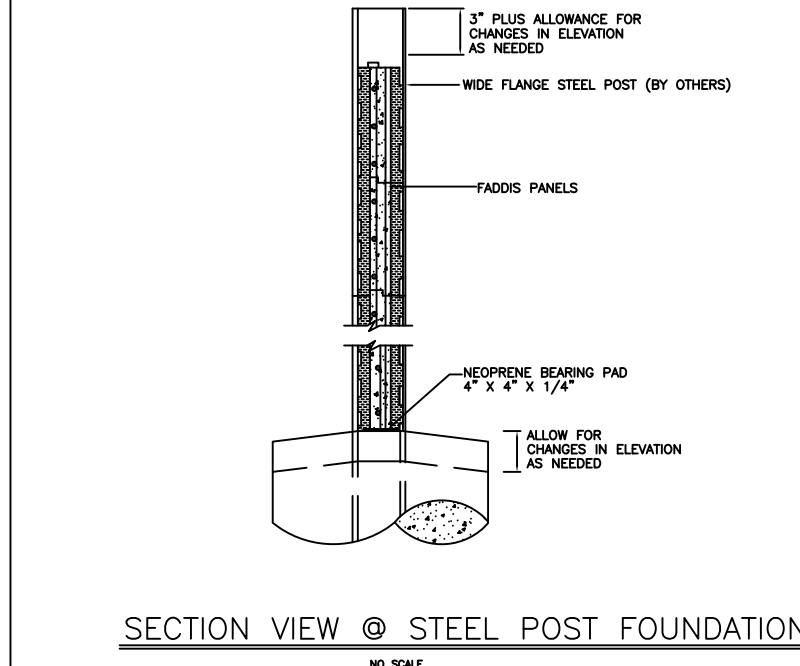
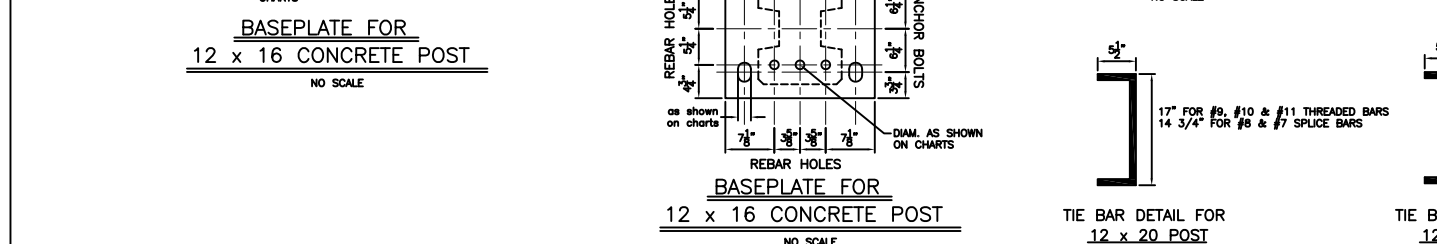
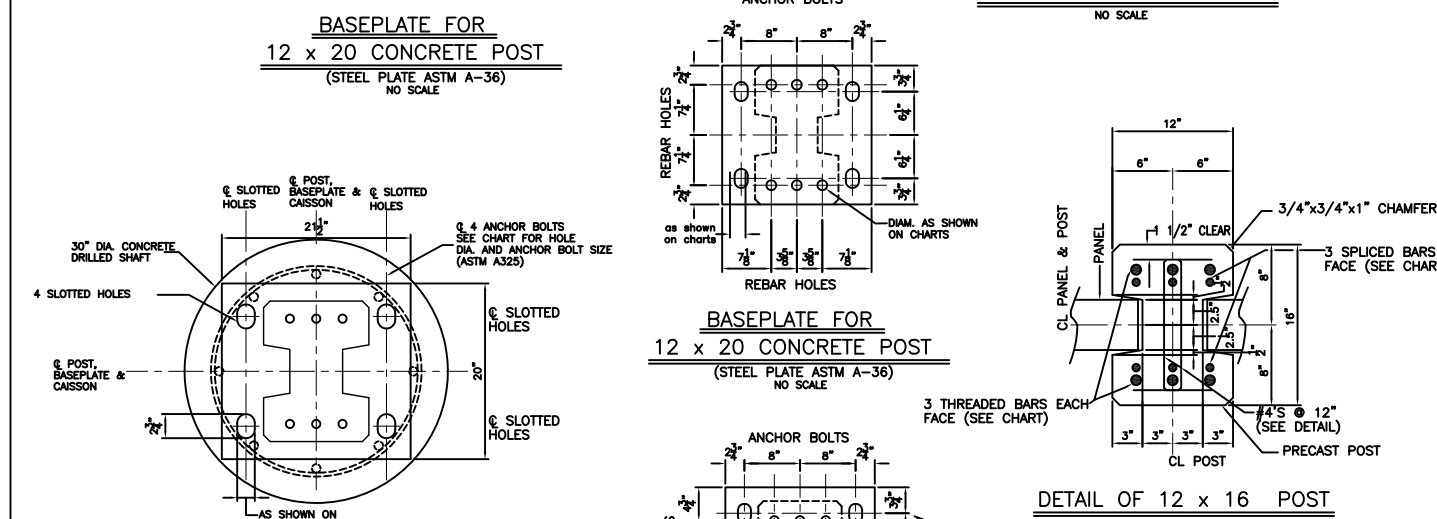
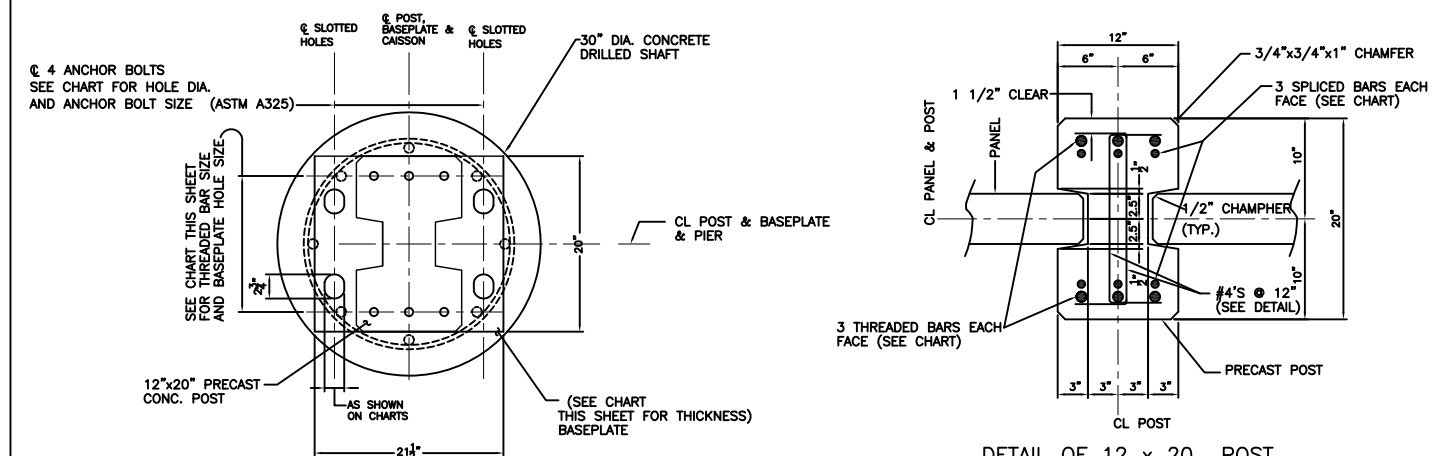
DETAIL 'Z'
REFLECTIVE PANEL
NO SCALE

BY		DESCRIPTION	DATE
REVISIONS			
FADDIS CONCRETE PRODUCTS 3515 KINGS HIGHWAY, DOWNTOWN, PA 19335			
FADDIS CONCRETE STANDARD AND SOUND ABSORPTIVE GROUND MOUNTED SOUND BARRIERS			
DATE	SCALE	DRAWN BY	CHECKED BY
11/13/2007	AS NOTED		
DRAWING NO.			2003.023.009-A

PREPARED BY:
DELTA ENGINEERS, P.C.
ESTABLISHED 1976
184 COUNTY STREET, BINGHAMTON, NY 13901-3514
TEL: (607) 731-6800 FAX: (607) 731-6850
E-MAIL: mail@deltaengineers.com

POST TYPE	BARRIER HEIGHT	POST REINFORCING	ANCHOR BOLTS		BASEPLATE THICKNESS	HOLE SIZE IN BASEPLATE		THREADED BARS (GALV) LENGTH	SPliced BARS LENGTH
			DIA.	EMBEDMENT		FOR THREADED RODS	ANCHOR BOLTS		
12X16	LESS THAN OR EQUAL TO 6'	THREADED ONE END		8 1/2"		7/8"	1 1/16"	POST LENGTH	N/A
	GREATER THAN 6' TO 8'	THREADED ONE END		10"		15/16"	1 3/16"	POST LENGTH	N/A
	GREATER THAN 8' TO 11'	THREADED ONE END		12 1/2"		1"	1 5/8"	POST LENGTH + 1/2"	N/A
	GREATER THAN 11' TO 14'	THREADED ONE END AND		14"		1 5/16"	1 3/4"	3'-6"	POST LENGTH - 4"
	GREATER THAN 14' TO 16'	THREADED ONE END AND		15"		1 5/8"	1 7/8"	4'-0"	POST LENGTH - 4"
12X20	GREATER THAN 16' TO 19'	THREADED ONE END AND		34"		1 5/8"	1 7/8"	4'-0"	POST LENGTH - 4"
	GREATER THAN 19' TO 20'	THREADED ONE END AND		34"		1 3/4"	1 7/8"	4'-6"	POST LENGTH - 4"

POST TYPE	BARRIER HEIGHT	POST REINFORCING	ANCHOR BOLTS		BASEPLATE THICKNESS	HOLE SIZE IN BASEPLATE		THREADED BARS (GALV) LENGTH	SPliced BARS LENGTH
			DIA.	EMBEDMENT		FOR THREADED RODS	ANCHOR BOLTS		
12X16	LESS THAN OR EQUAL TO 6'	THREADED ONE END		10"		7/8"	1 3/16"	POST LENGTH + 1/4"	N/A
	GREATER THAN 6' TO 8'	THREADED ONE END		11"		1"	1 5/16"	POST LENGTH + 3/8"	N/A
	GREATER THAN 8' TO 11'	THREADED ONE END		15"		1 3/16"	1 7/8"	POST LENGTH + 7/8"	N/A
	GREATER THAN 11' TO 14'	THREADED ONE END AND		16"		1 5/8"	2"	4'-0"	POST LENGTH - 4"
	GREATER THAN 14' TO 16'	THREADED ONE END AND		20"		1 3/4"	2 1/4"	4'-6"	POST LENGTH - 4"
12X20	GREATER THAN 16' TO 19'	THREADED ONE END AND		40"		1 3/4"	2 1/4"	4'-6"	POST LENGTH - 4"
	GREATER THAN 19' TO 20'	THREADED ONE END AND		40"		1 7/8"	2 1/4"	5'-0"	POST LENGTH - 4"



BY	DESCRIPTION	DATE		
REVISIONS				
FADDIS CONCRETE PRODUCTS 3515 KINGS HIGHWAY, DOWNINGTOWN, PA 19335				
FADDIS CONCRETE STANDARD AND SOUND ABSORPTIVE GROUND MOUNTED SOUND BARRIERS				
DATE	SCALE	DRAWN BY	CHECKED BY	DRAWING NO.
11/13/2007	AS NOTED			2003.023.009-B

PREPARED BY:
 DELTA ENGINEERS, P.C.
 ESTABLISHED 1976
 184 COURT STREET, BINGHAMTON, NY 13901-3214
 TEL: (607) 231-6800 FAX: (607) 231-6850
 E-MAIL: mail@deltaengineers.com

