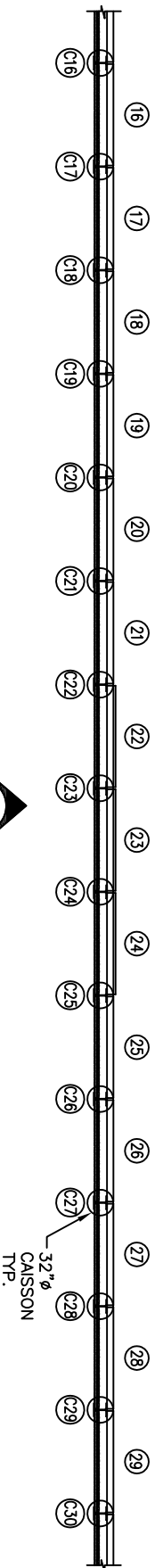




GLENWOOD CEMETARY

208'-0" C.C.

(22) SPACES @ 8'-0" = 168'-0"



PROPOSED SHOPPING CENTER

PLAN VIEW

PHONE(610)269-4685 FAX(610)873-8431

FADDIS CONCRETE PRODUCTS

3515 KINGS HIGHWAY
DOWNINGTOWN, PA 19335

PREPARED BY:



DELTA ENGINEERS, P.C.

ESTABLISHED 1976

164 COURT STREET, BINGHAMTON, NY 13901-3514
TEL: (607) 231-6800 FAX: (607) 231-6880
E-MAIL: mail@deltaengineers.com

DATE: 02/11/03

SCALE: NONE

PROJECT: WEST LONG BRANCH 36 RETAIL CENTER

HESSIAN SERIES RETAINING WALL

CUSTOMER:

RETAINING WALL PLAN VIEW

DATE: 02/11/03

SCALE: NONE

PROJECT: WEST LONG BRANCH 36 RETAIL CENTER

HESSIAN SERIES RETAINING WALL

CUSTOMER:

DATE: 02/11/03

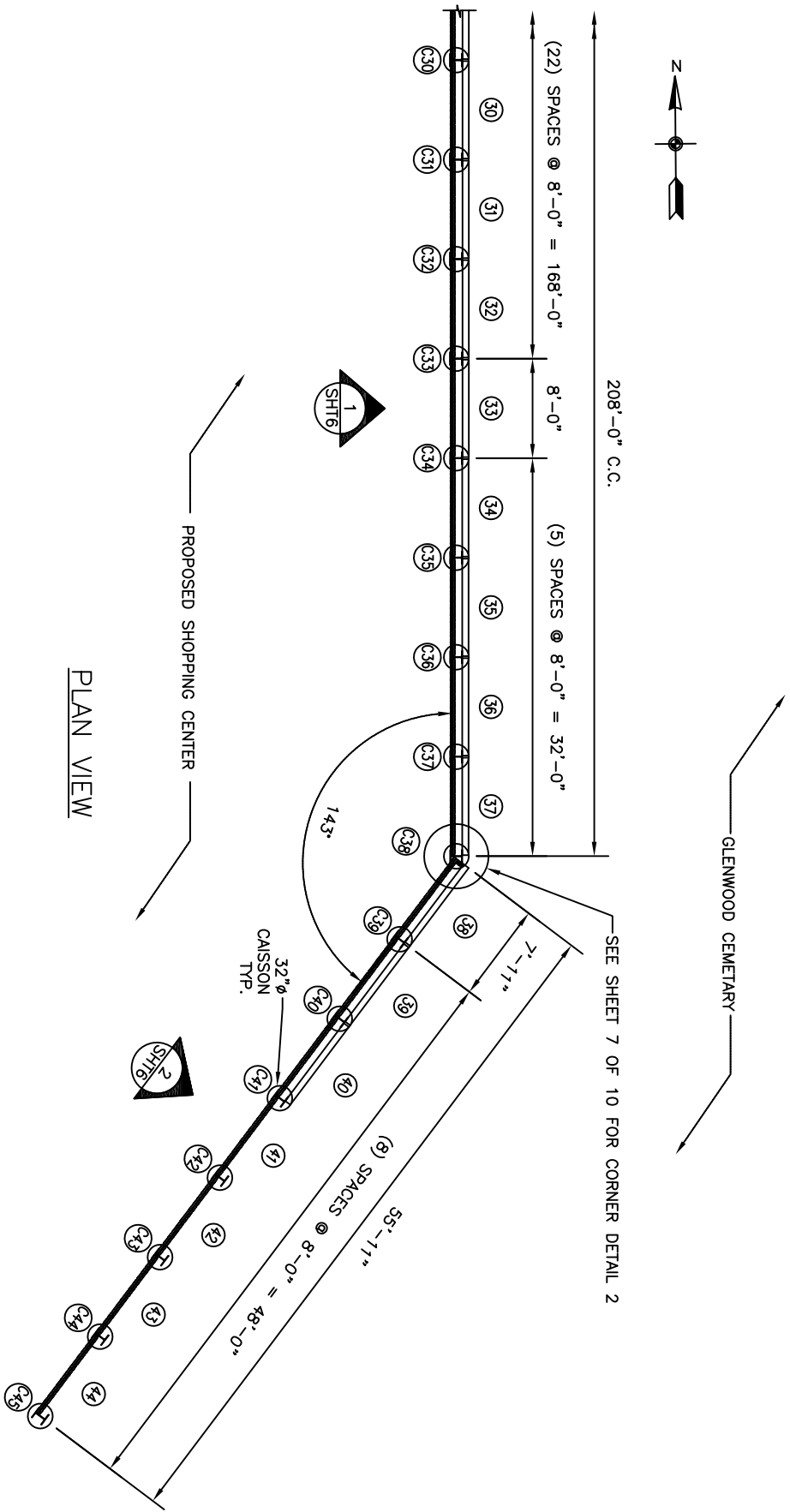
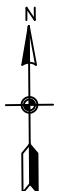
SCALE: NONE

PROJECT: WEST LONG BRANCH 36 RETAIL CENTER

HESSIAN SERIES RETAINING WALL

CUSTOMER:

SHT 2



PLAN VIEW

PREPARED FOR: [REDACTED]

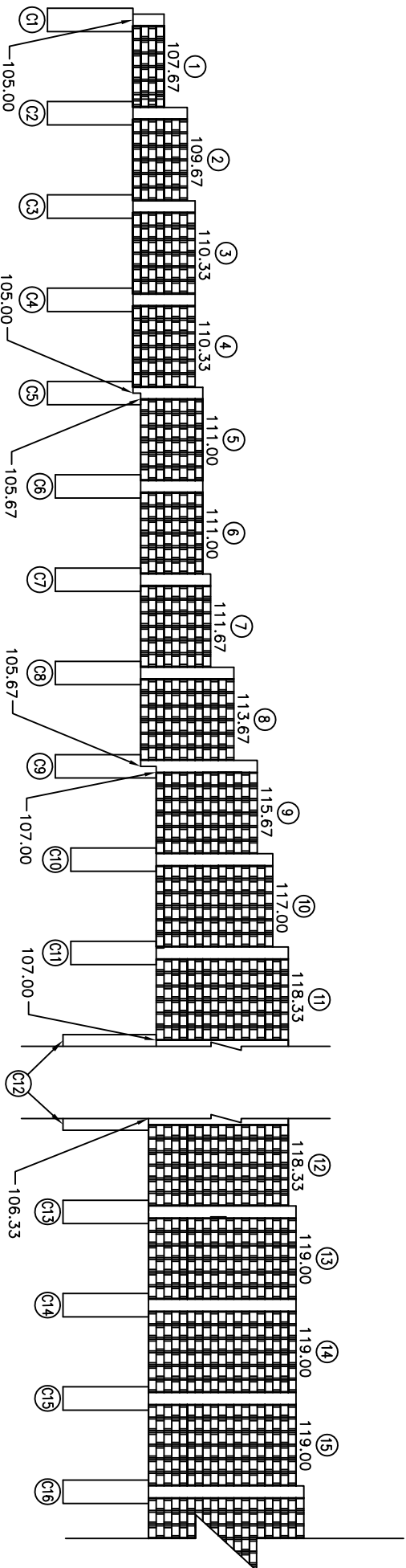
FADDIS CONCRETE PRODUCTS
 3515 KINGS HIGHWAY
 DOWNINGTOWN, PA 19335
 PHONE(610)269-4685 FAX(610)873-8431

PREPARED BY: [REDACTED]

DELTA ENGINEERS, P.C.
 ESTABLISHED 1976
 164 COURT STREET, BINGHAMTON, NY 13901-3514
 TEL: (607) 231-6800 FAX: (607) 231-6850
 E-MAIL: mail@deltaengineers.com

DATE: 02/11/03
 SCALE: NONE
 PROJECT: WEST LONG BRANCH 36 RETAIL CENTER
 HESSIAN SERIES RETAINING WALL
 DRAWING NO.: SHT 3

△	
△	
△	



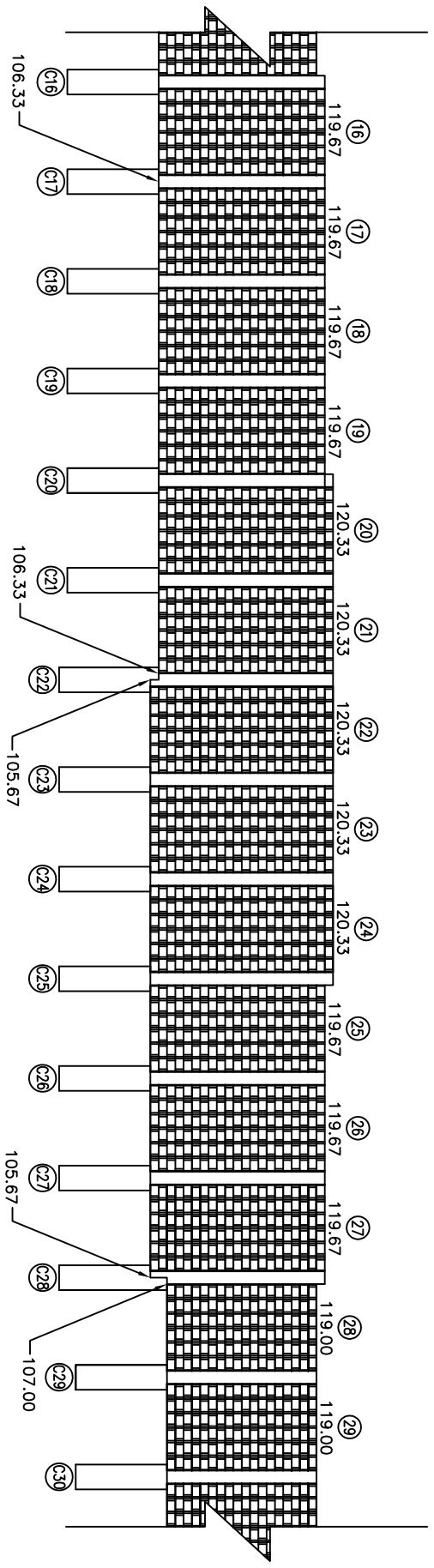
1 ELEVATION VIEW
SHT 4

2 ELEVATION VIEW
SHT 4

PREPARED FOR:
FADDIS CONCRETE PRODUCTS
 3515 KINGS HIGHWAY
 DOWNINGTOWN, PA 19335
 PHONE(610)269-4685 FAX(610)873-8431


PREPARED BY:
DELTA ENGINEERS, P.C.
 ESTABLISHED 1976
 164 COURT STREET, BINGHAMTON, NY 13901-3514
 TEL: (607) 231-6800 FAX: (607) 231-6880
 E-MAIL: mail@deltaengineers.com

DATE: 02/11/03	RETAINING WALL ELEVATION VIEW	PRINT BY: NI
SCALE: NONE		DWG BY:
PROJECT: WEST LONG BRANCH 36 RETAIL CENTER		
CUSTOMER: HESSIAN SERIES RETAINING WALL		
		DWG. NO. SHT 4

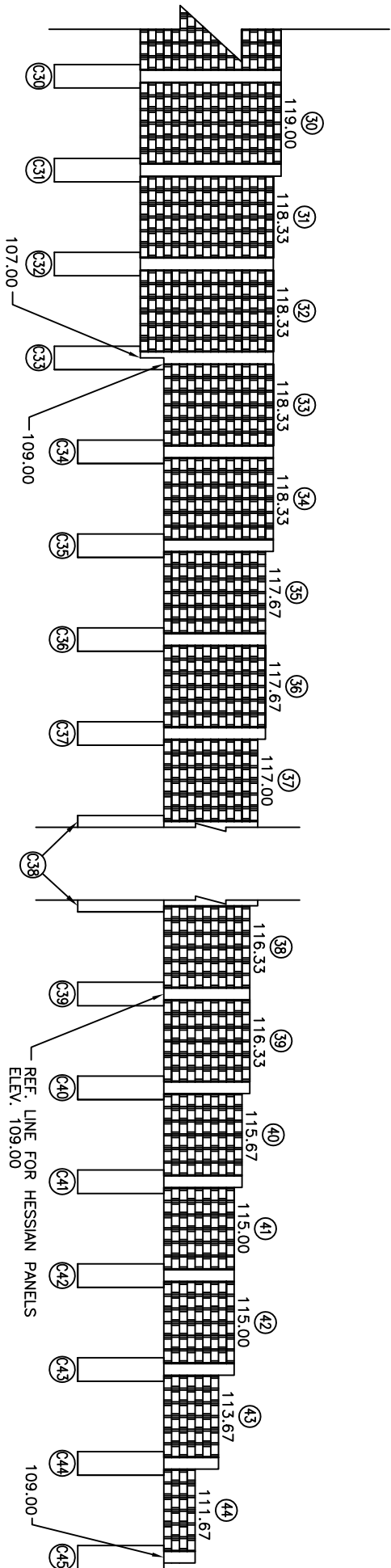


1 ELEVATION VIEW
SHTS

PREPARED FOR:
FADDIS CONCRETE PRODUCTS
 3515 KINGS HIGHWAY
 DOWNINGTOWN, PA 19335
 PHONE(610)269-4685 FAX(610)873-8431

PREPARED BY:

DELTA ENGINEERS, P.C.
 ESTABLISHED 1976
 164 COURT STREET, BINGHAMTON, NY 13901-3514
 TEL: (607) 231-6800 FAX: (607) 231-6890
 E-MAIL: mail@deltaengineers.com

DATE: 02/11/03	RETAINING WALL	DRWN BY: NI
SCALE: NONE	ELEVATION VIEW	CHK BY:
PROJECT:	WEST LONG BRANCH 36 RETAIL CENTER	
CUSTOMER:	HESSIAN SERIES RETAINING WALL	
		DWG. NO. SHT 5



1 ELEVATION VIEW
SHT6

2 ELEVATION VIEW
SHT6

PREPARED FOR: XXXXXXXXXX

FADDIS CONCRETE PRODUCTS

3515 KINGS HIGHWAY
DOWNINGTOWN, PA 19335
PHONE(610)269-4685 FAX(610)873-8431

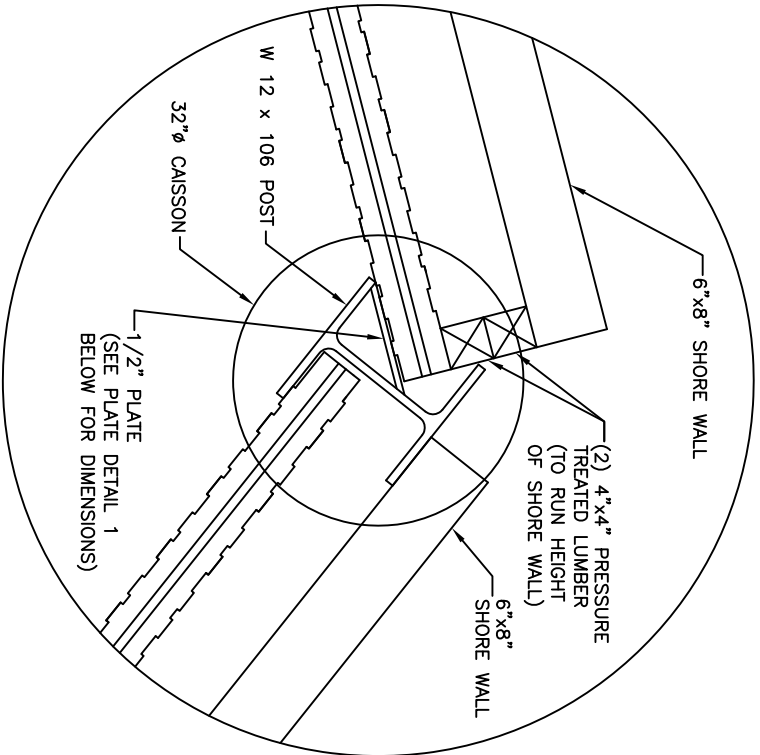
PREPARED BY: XXXXXXXXXX

DELTA ENGINEERS P.C.
ESTABLISHED 1976

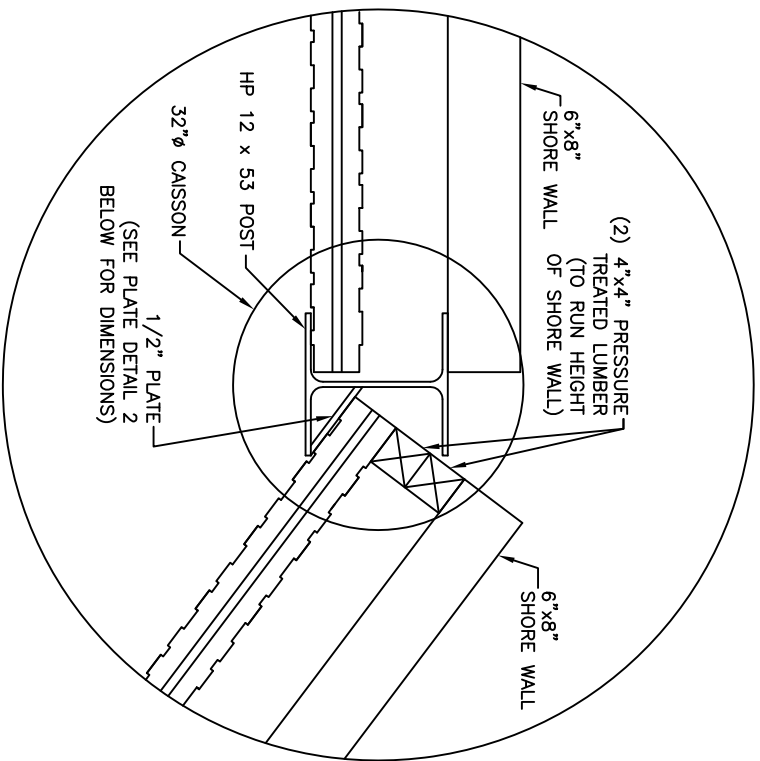
164 COURT STREET, BINGHAMTON, NY 13901-3514
TEL: (607) 231-6800 FAX: (607) 231-6880
E-MAIL: mail@deltaengineers.com

DATE: 02/11/03
SCALE: NONE
PROJECT: WEST LONG BRANCH 36 RETAIL CENTER
HESSIAN SERIES RETAINING WALL
DRAWN BY: NI
CHK BY:
CUSTOMER: XXXXXXXXXX
DWG. NO. SHT 6

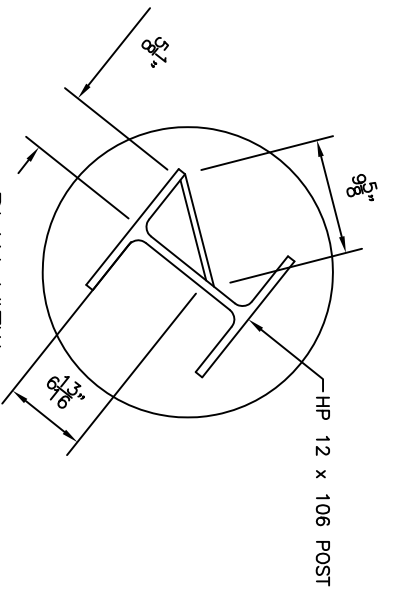
▽	
▽	
▽	



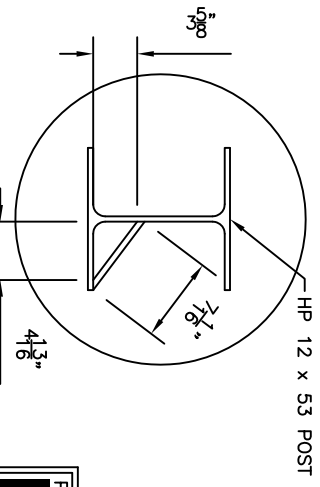
PLAN VIEW
CORNER DETAIL 1



PLAN VIEW
CORNER DETAIL 2






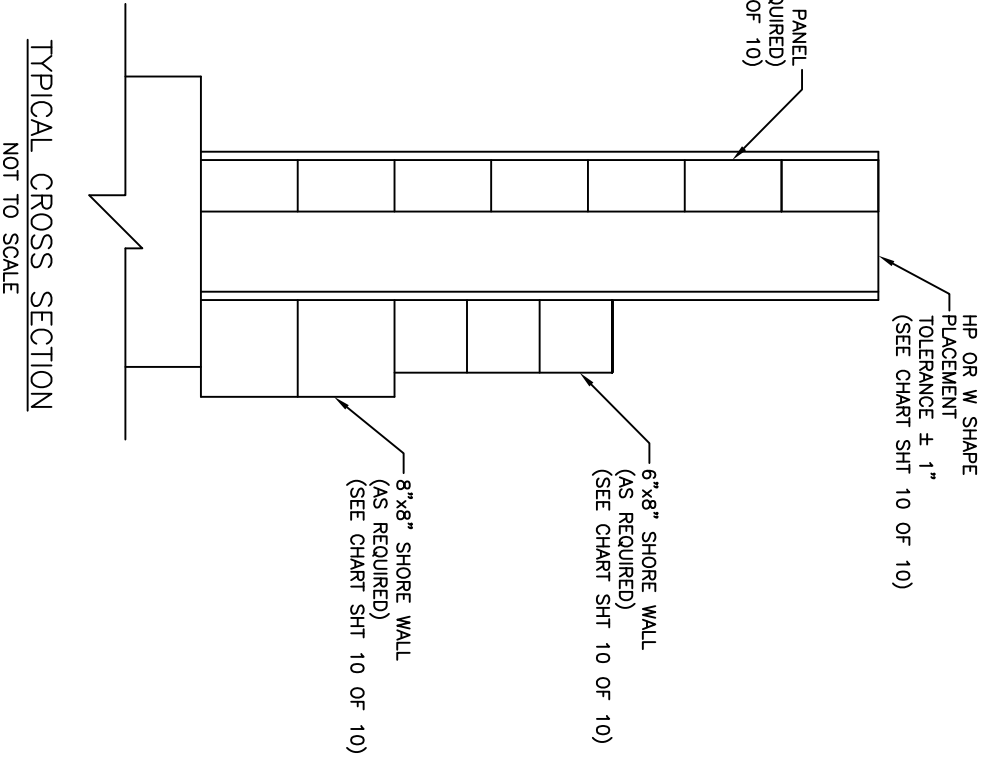
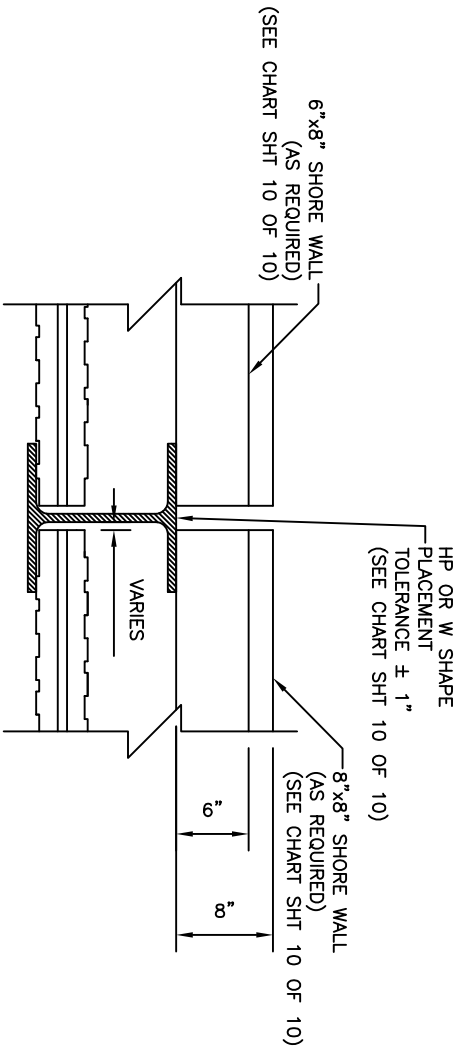
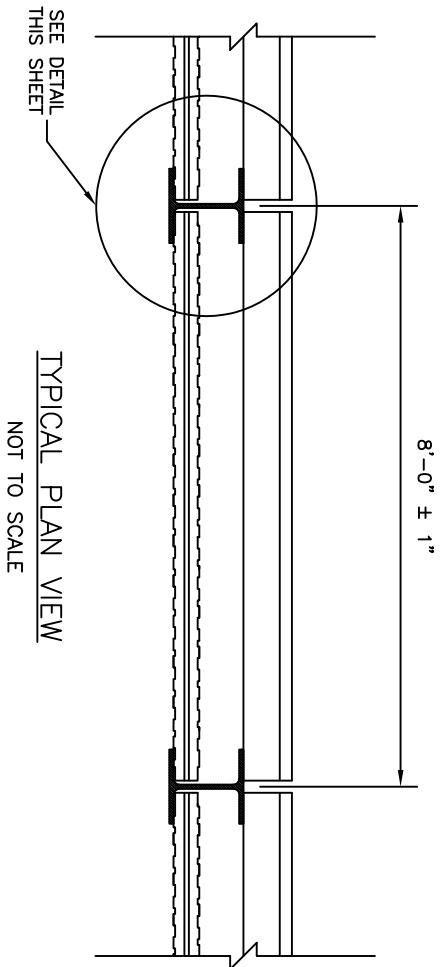
PLAN VIEW
PLATE DETAIL 1



PLAN VIEW
PLATE DETAIL 2

▽	
▽	
▽	

<p>PREPARED FOR:</p> 	<p>FADDIS CONCRETE PRODUCTS</p> <p>3515 KINGS HIGHWAY DOWNINGTOWN, PA 19335 PHONE(610)269-4685 FAX(610)873-8431</p>
<p>PREPARED BY:</p> 	
 <p>DELTA ENGINEERS, P.C. ESTABLISHED 1976</p> <p>164 COURT STREET, BINGHAMTON, NY 13901-3514 TEL: (607) 231-6800 FAX: (607) 231-6850 E-MAIL: mail@deltaengineers.com</p>	
<p>DATE: 02/11/03</p> <p>SCALE: NONE</p> <p>PROJECT: WEST LONG BRANCH 36 RETAIL CENTER HESSIAN SERIES RETAINING WALL</p> <p>CUSTOMER:</p>	<p>RETAINING WALL DETAILS</p> <p>DWG. NO. SHT 7</p>



PANEL TO POST DETAIL
NOT TO SCALE

▽		
▽		
▽		

PREPARED FOR: [REDACTED]

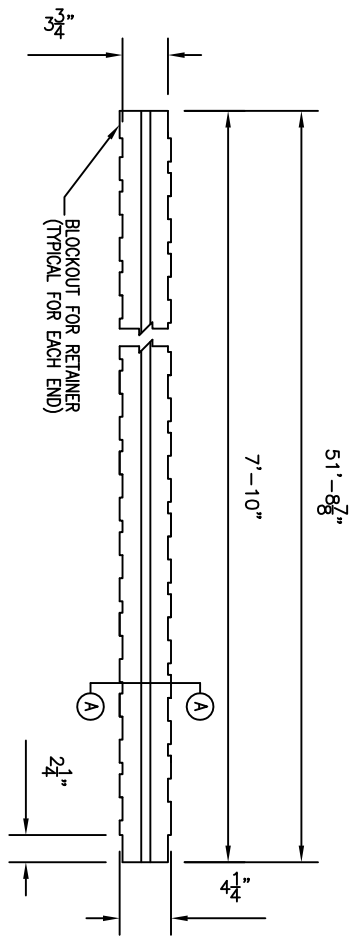
FADDIS CONCRETE PRODUCTS
3515 KINGS HIGHWAY
DOWNINGTOWN, PA 19335
PHONE(610)269-4685 FAX(610)873-8431

PREPARED BY: [REDACTED]

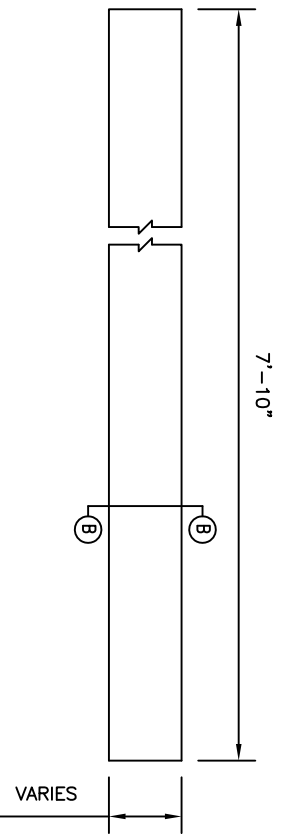
DELTA ENGINEERS, P.C.
ESTABLISHED 1976
164 COURT STREET, BINGHAMTON, NY 13901-2514
TEL: (607) 231-6800 FAX: (607) 231-6850
E-MAIL: mail@deltaengineers.com

DATE: 02/11/03
SCALE: NONE
PROJECT: WEST LONG BRANCH 36 RETAIL CENTER
HESSIAN SERIES RETAINING WALL
CUSTOMER: [REDACTED]

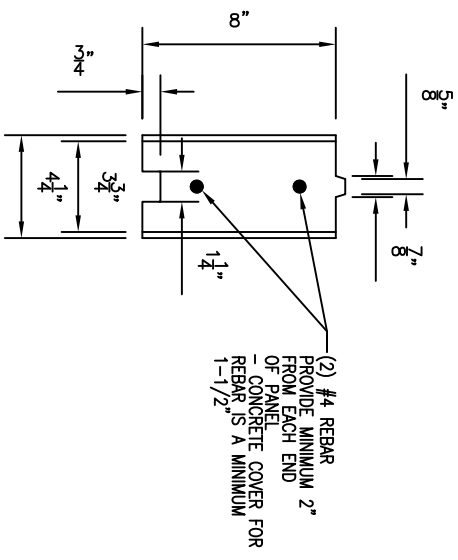
RETAINING WALL DETAILS
DRAWN BY: NI
CHK BY: [REDACTED]
DWG. NO.: SHT 8



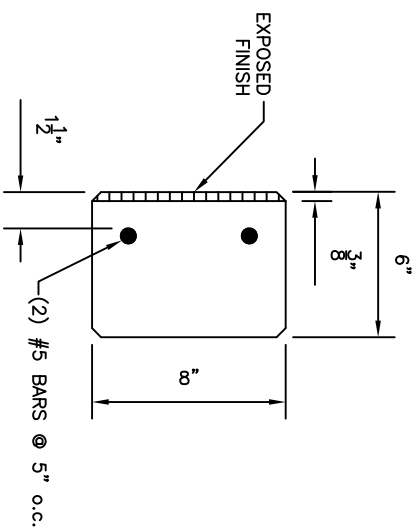
PLAN VIEW OF PANEL



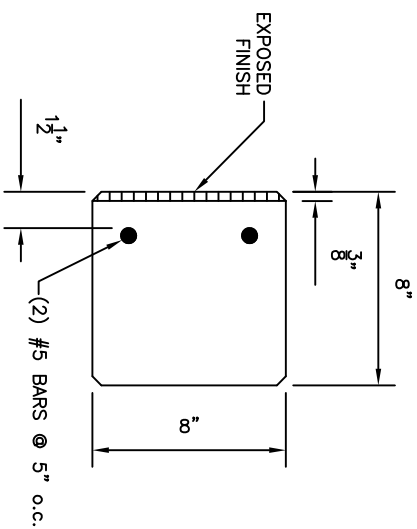
PLAN VIEW OF SHORE WALL PANEL



PANEL CROSS SECTION ("A-A")



SHORE WALL CROSS SECTION ("B-B")



SHORE WALL CROSS SECTION ("B-B")

PREPARED FOR: [REDACTED]

FADDIS CONCRETE PRODUCTS
 3515 KINGS HIGHWAY
 DOWNINGTOWN, PA 19335
 PHONE(610)269-4685 FAX(610)873-8431

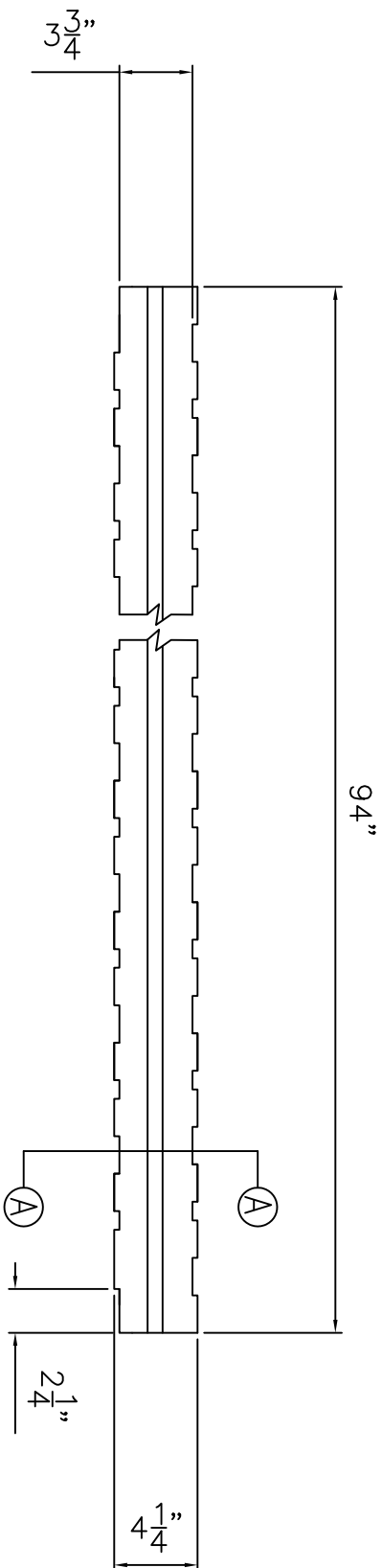
DATE: 02/11/03
 SCALE: NONE
 PROJECT: WEST LONG BRANCH 36 RETAIL CENTER
 HESSIAN SERIES RETAINING WALL

DELTA ENGINEERS, P.C.
 ESTABLISHED 1976
 164 COURT STREET, BINGHAMTON, NY 13901-2514
 TEL: (607) 231-6800 FAX: (607) 231-6850
 E-MAIL: mail@deltaengineers.com

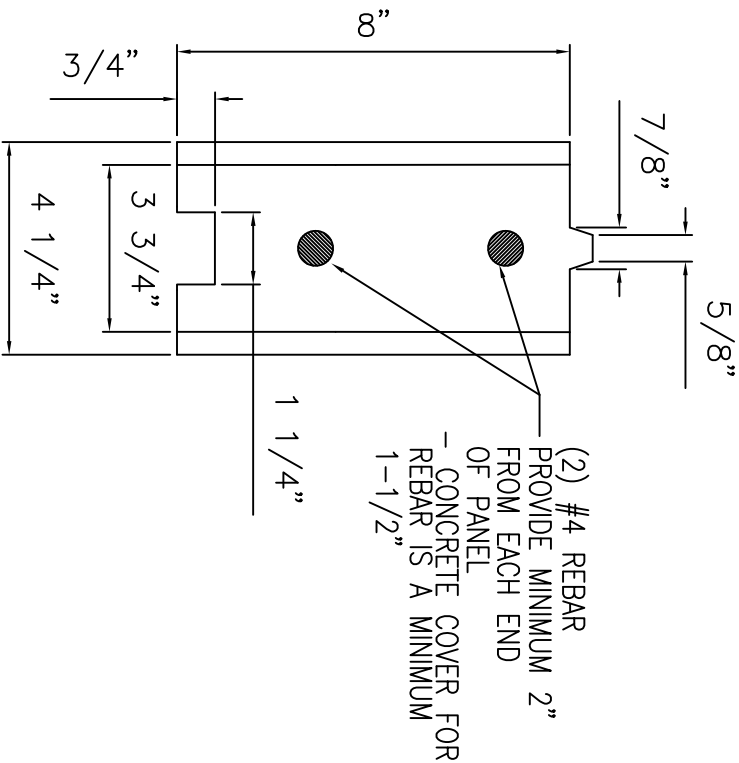
PREPARED BY: [REDACTED]

RETAINING WALL DETAILS
 DRAWN BY: NI
 CHECK BY: [REDACTED]

CUSTOMER: [REDACTED]
 DWG. NO. [REDACTED]
 SHT 9



PLAN VIEW OF PANEL



PANEL CROSS SECTION ("A-A")

- GENERAL NOTES:
1. CONCRETE STRENGTH
 $f'c = 5000$ PSI @ 28 DAYS, MIN.
 2. DESIGN LOADS:
 WIND PRESSURE = 258 PSF MAX
 EARTH PRESSURE = 225 PSF MAX
 3. REINFORCING STEEL TO MEET ASTM A615, GRADE 60

PREPARED FOR:

FADDIS CONCRETE PRODUCTS
 3515 KINGS HIGHWAY
 DOWNINGTOWN, PA 19335
 PHONE(610)269-4685 FAX(610)873-8431

PREPARED BY:

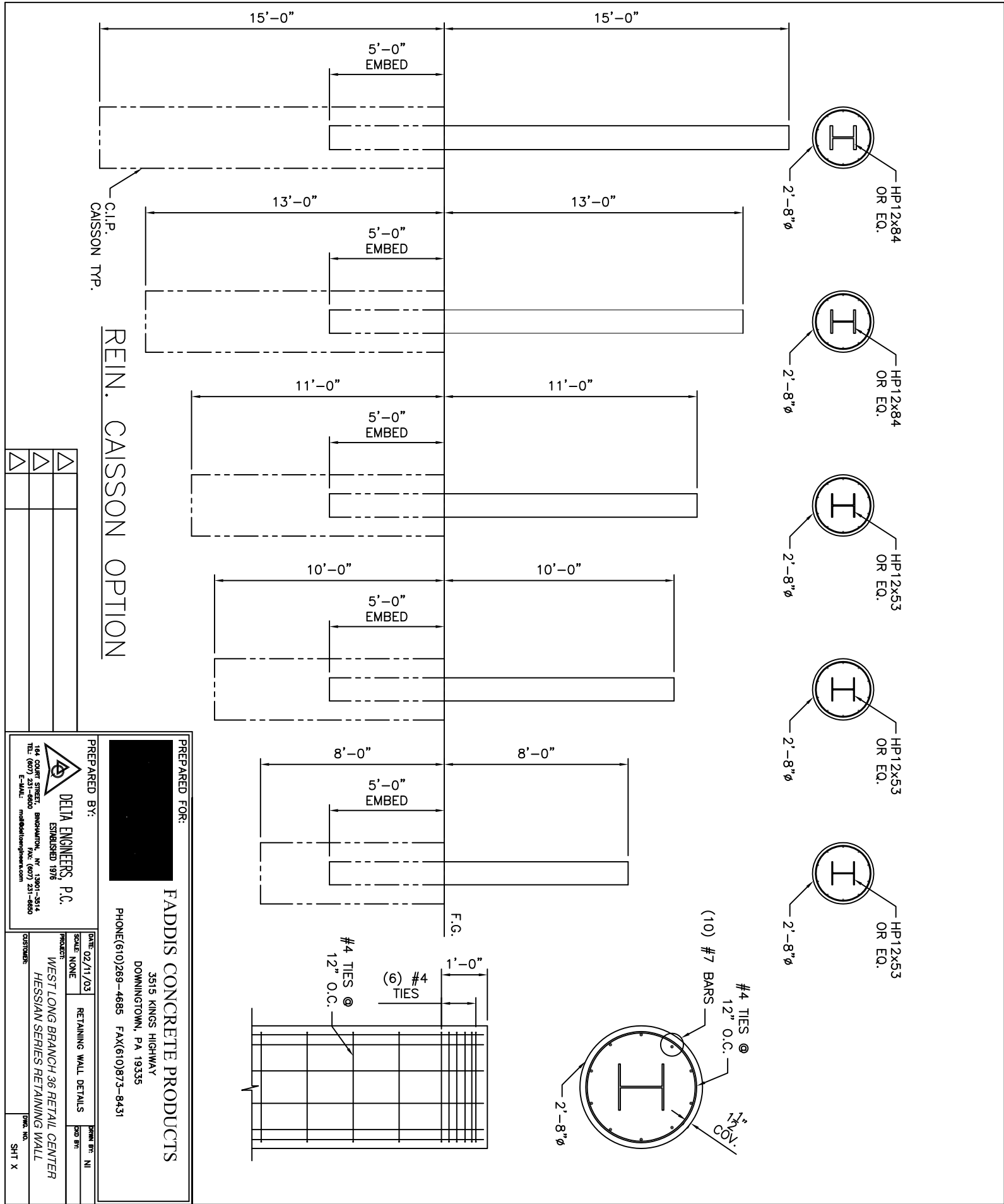
DELTA ENGINEERS, P.C.
 ESTABLISHED 1976
 164 COURT STREET, BINGHAMTON, NY 13901-3514
 TEL: (607) 231-6600 FAX: (607) 231-6650
 E-MAIL: mail@deltaengineers.com

DATE: 10/16/02 HESSIAN
 SCALE: NONE DETAILS
 PROJECT: STANDARD
 NOISE / RETAINING
 WALL PANELS

DRAWN BY: GAS
 CPO BY:

CUSTOMER:

DWG. NO. 2-023-07B
 JOB NO. 2002.023.007



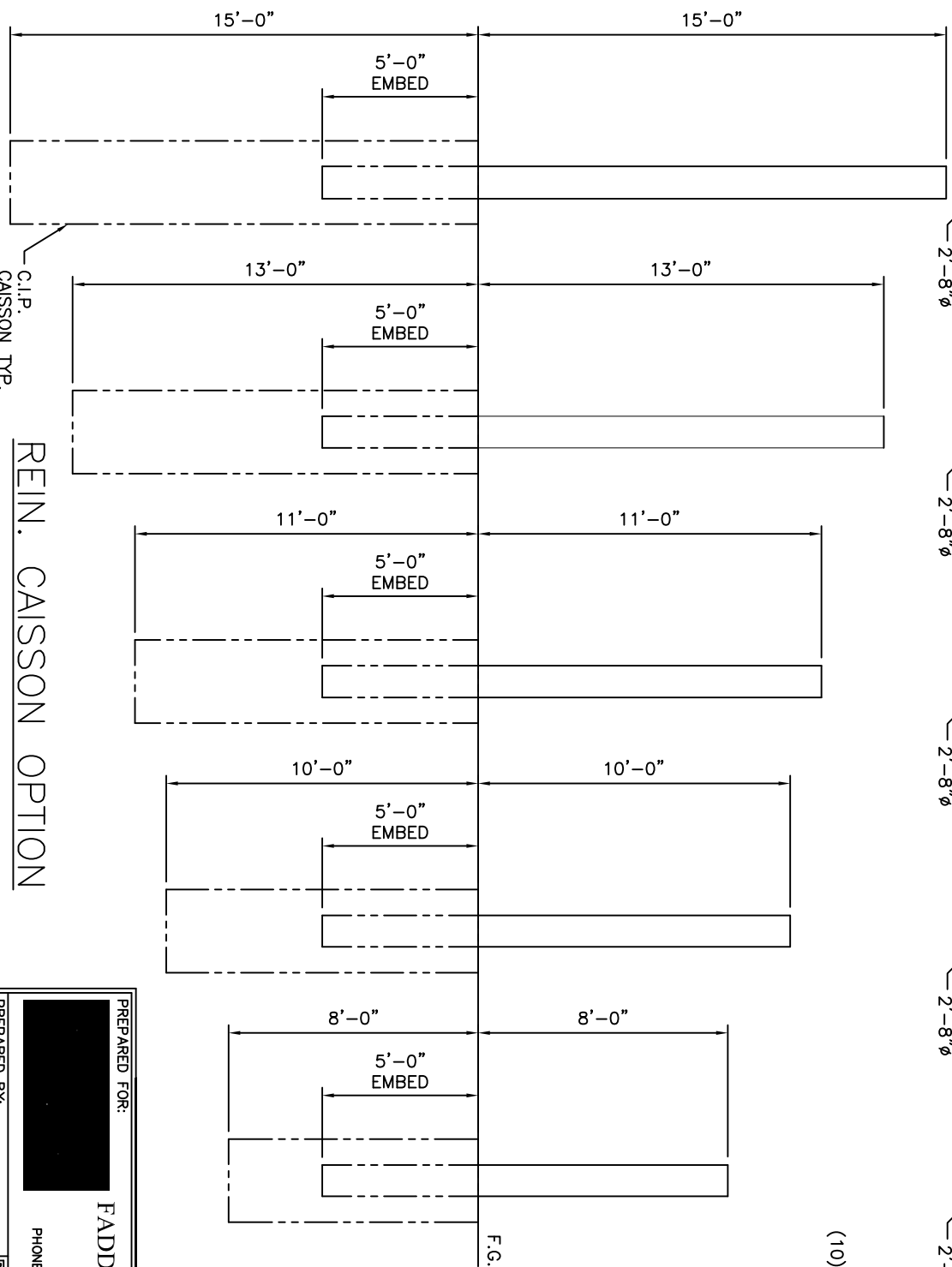
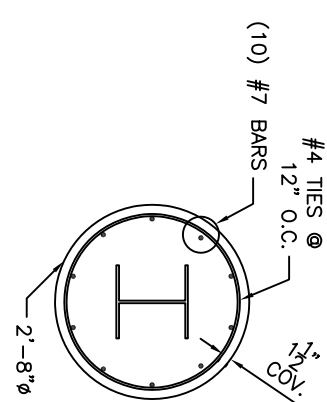
HP12x84
OR EQ.
2'-8"Ø

HP12x84
OR EQ.
2'-8"Ø

HP12x53
OR EQ.
2'-8"Ø

HP12x53
OR EQ.
2'-8"Ø

HP12x53
OR EQ.
2'-8"Ø



REIN. CAISSON OPTION

C.I.P.
CAISSON TYP.

▽	
▽	
▽	

PREPARED FOR: **FADDIS CONCRETE PRODUCTS**
3515 KINGS HIGHWAY
DOWNTOWN, PA 19335
PHONE (610) 269-4685 FAX (610) 873-8431

PREPARED BY: **DELTA ENGINEERS, P.C.**
ESTABLISHED 1976
164 COURT STREET, BINGHAMTON, NY 13901-3514
TEL (607) 733-6500 FAX (607) 731-0600
E-MAIL: info@deltaengineers.com

DATE: 02/11/03
SCALE: NONE
PROJECT: WEST LONG BRANCH 36 RETAIL CENTER
HESSMAN SERIES RETAINING WALL

REINFORCING WALL DETAILS
DRAWING NO. 200
SHEET NO. NI
SHT X

HESSIAN SERIES RETAINING WALL
(ALL DIMENSIONS ARE IN FEET)

CAISSON NUMBER	TOP OF CAISSON ELEVATION	BOTTOM OF CAISSON ELEVATION	DEPTH OF CAISSON	STEP HEIGHT	HEIGHT OF POST*	TYPE OF POST
C1	105.00	97.00	8.00	---	16.00	HP 12x63
C2	105.00	97.00	8.00	---	16.00	HP 12x63
C3	105.00	97.00	8.00	---	16.00	HP 12x63
C4	105.00	97.00	8.00	0.67	16.00	HP 12x63
C5	105.67	97.67	8.00	---	16.00	HP 12x63
C6	105.67	97.67	8.00	---	16.00	HP 12x63
C7	105.67	97.67	8.00	---	16.00	HP 12x63
C8	105.67	97.67	8.00	---	16.00	HP 12x63
C9	107.00	97.00	10.00	1.33	20.00	HP 12x63
C10	107.00	97.00	10.00	---	20.00	HP 12x63
C11	107.00	94.00	13.00	---	26.00	W 12x106
C12	106.33	93.33	13.00	0.67	26.00	W 12x106
C13	106.33	93.33	13.00	---	26.00	W 12x106
C14	106.33	93.33	13.00	---	26.00	W 12x106
C15	106.33	93.33	13.00	---	26.00	W 12x106
C16	106.33	91.33	15.00	---	30.00	W 12x152
C17	106.33	91.33	15.00	---	30.00	W 12x152
C18	106.33	91.33	15.00	---	30.00	W 12x152
C19	106.33	91.33	15.00	---	30.00	W 12x152
C20	106.33	91.33	15.00	---	30.00	W 12x152
C21	106.33	91.33	15.00	---	30.00	W 12x152
C22	105.67	90.67	15.00	0.67	30.00	W 12x152
C23	105.67	90.67	15.00	---	30.00	W 12x152
C24	105.67	90.67	15.00	---	30.00	W 12x152
C25	105.67	90.67	15.00	---	30.00	W 12x152
C26	105.67	90.67	15.00	---	30.00	W 12x152
C27	105.67	90.67	15.00	---	30.00	W 12x152
C28	107.00	94.00	13.00	1.33	26.00	W 12x106
C29	107.00	94.00	13.00	---	26.00	W 12x106
C30	107.00	94.00	13.00	---	26.00	W 12x106
C31	107.00	94.00	13.00	---	26.00	W 12x106
C32	107.00	94.00	13.00	---	26.00	W 12x106
C33	109.00	99.00	10.00	2.00	20.00	HP 12x63
C34	109.00	99.00	10.00	---	20.00	HP 12x63
C35	109.00	99.00	10.00	---	20.00	HP 12x63
C36	109.00	99.00	10.00	---	20.00	HP 12x63
C37	109.00	101.00	8.00	---	16.00	HP 12x63
C38	109.00	101.00	8.00	---	16.00	HP 12x63
C39	109.00	101.00	8.00	---	16.00	HP 12x63
C40	109.00	101.00	8.00	---	16.00	HP 12x63
C41	109.00	101.00	8.00	---	16.00	HP 12x63
C42	109.00	101.00	8.00	---	16.00	HP 12x63
C43	109.00	101.00	8.00	---	16.00	HP 12x63
C44	109.00	101.00	8.00	---	16.00	HP 12x63
C45	109.00	101.00	8.00	---	16.00	HP 12x63

*NOTE: POSTS RUN FULL DEPTH OF CAISSONS

HESSIAN SERIES RETAINING WALL (ALL DIMENSIONS ARE IN FEET)

PANEL NUMBER	TOP OF PANEL ELEVATION	BOTTOM OF PANEL ELEVATION	HEIGHT OF PANEL	# OF HESSIAN PANELS REQ'D	# OF 6'x8" SHORE WALL PANELS REQ'D	# OF 8'x8" SHORE WALL PANELS REQ'D
1	107.67	105.00	2.67	4	---	---
2	109.67	105.00	4.67	7	---	---
3	110.33	105.00	5.33	8	---	---
4	111.00	105.00	6.00	8	---	---
5	111.00	105.67	5.33	8	---	---
6	111.00	105.67	5.33	8	---	---
7	111.67	105.67	6.00	9	---	---
8	113.67	105.67	8.00	12	---	---
9	115.67	107.00	8.67	13	---	---
10	117.00	107.00	10.00	15	---	---
11	118.33	107.00	11.33	17	---	---
12	118.33	106.33	12.00	18	---	---
13	119.00	106.33	12.67	19	---	---
14	119.00	106.33	12.67	19	---	---
15	119.00	106.33	12.67	19	---	---
16	119.67	106.33	13.34	20	---	---
17	119.67	106.33	13.34	20	---	---
18	119.67	106.33	13.34	20	---	---
19	119.67	106.33	13.34	20	---	---
20	120.33	106.33	14.00	21	---	---
21	120.33	106.33	14.00	21	---	---
22	120.33	105.67	14.66	22	---	---
23	120.33	105.67	14.66	22	---	---
24	120.33	105.67	14.66	22	---	---
25	119.67	105.67	14.00	21	---	---
26	119.67	105.67	14.00	21	---	---
27	119.67	105.67	14.00	21	---	---
28	119.00	107.00	12.00	18	---	---
29	119.00	107.00	12.00	18	---	---
30	119.00	107.00	12.00	18	---	---
31	118.33	107.00	11.33	17	---	---
32	118.33	107.00	11.33	17	---	---
33	118.33	109.00	9.33	14	---	---
34	118.33	109.00	9.33	14	---	---
35	117.67	109.00	8.67	13	---	---
36	117.67	109.00	8.67	13	---	---
37	117.00	109.00	8.00	12	---	---
38	116.33	109.00	7.33	11	---	---
39	116.33	109.00	7.33	11	---	---
40	115.67	109.00	6.67	10	---	---
41	115.00	109.00	6.00	9	---	---
42	115.00	109.00	6.00	9	---	---
43	113.67	109.00	4.67	7	---	---
44	111.67	109.00	2.67	4	---	---

PREPARED FOR:

FADDIS CONCRETE PRODUCTS
3515 KINGS HIGHWAY
DOWNINGTOWN, PA 19335
PHONE(610)269-4685 FAX(610)873-8431

PREPARED BY:



DELTA ENGINEERS P.C.
ESTABLISHED 1976

164 COURT STREET, BINGHAMTON, NY 13901-3514
TEL: (607) 231-6600 FAX: (607) 231-6650
E-MAIL: mail@deltaengineers.com

DATE: 02/11/03
SCALE: NONE
PROJECT: WEST LONG BRANCH 36 RETAIL CENTER
HESSIAN SERIES RETAINING WALL

PRINT BY: NI
JOB BY:

CUSTOMER: DMC NO. SHT 10